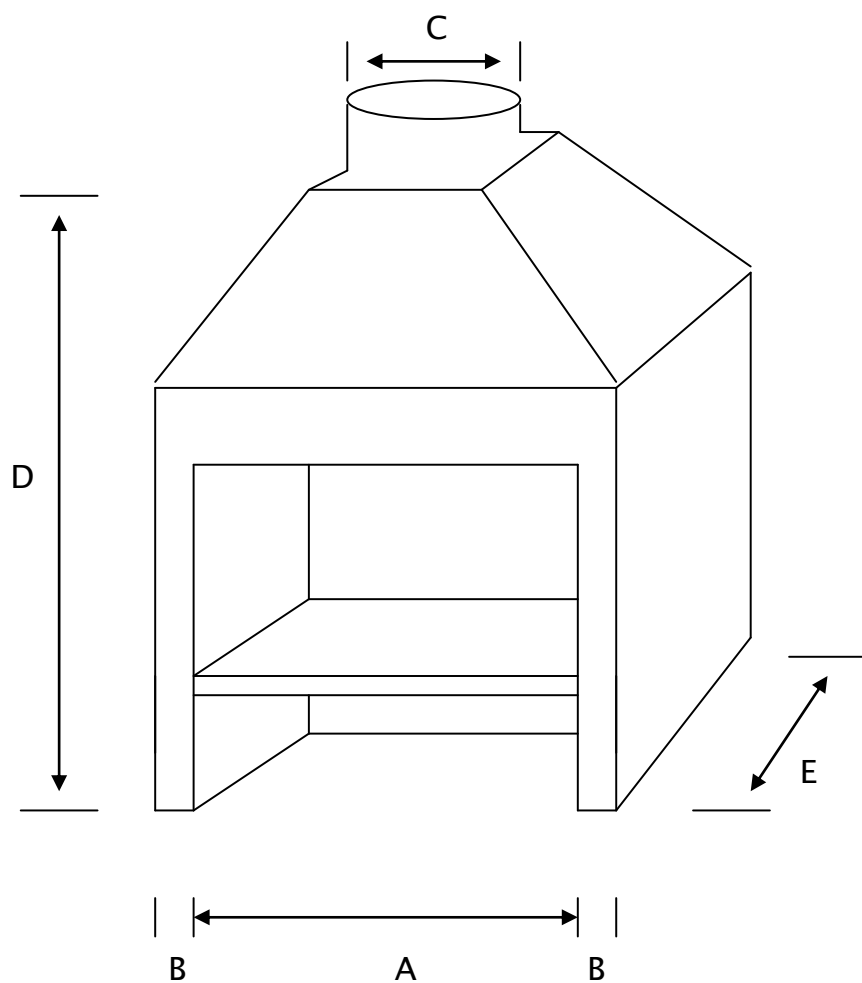


SPECIFICATIONS OF THE SLIMLINE FIREPLACE



PRODUCT	A	B	C	D	E
600 SLIMLINE	500	50	200 Ø	900	350
700 SLIMLINE	600	50	200 Ø	1020	350
800 SLIMLINE	700	50	230 Ø	1070	400
1000 SLIMLINE	900	50	280 Ø	1200	450