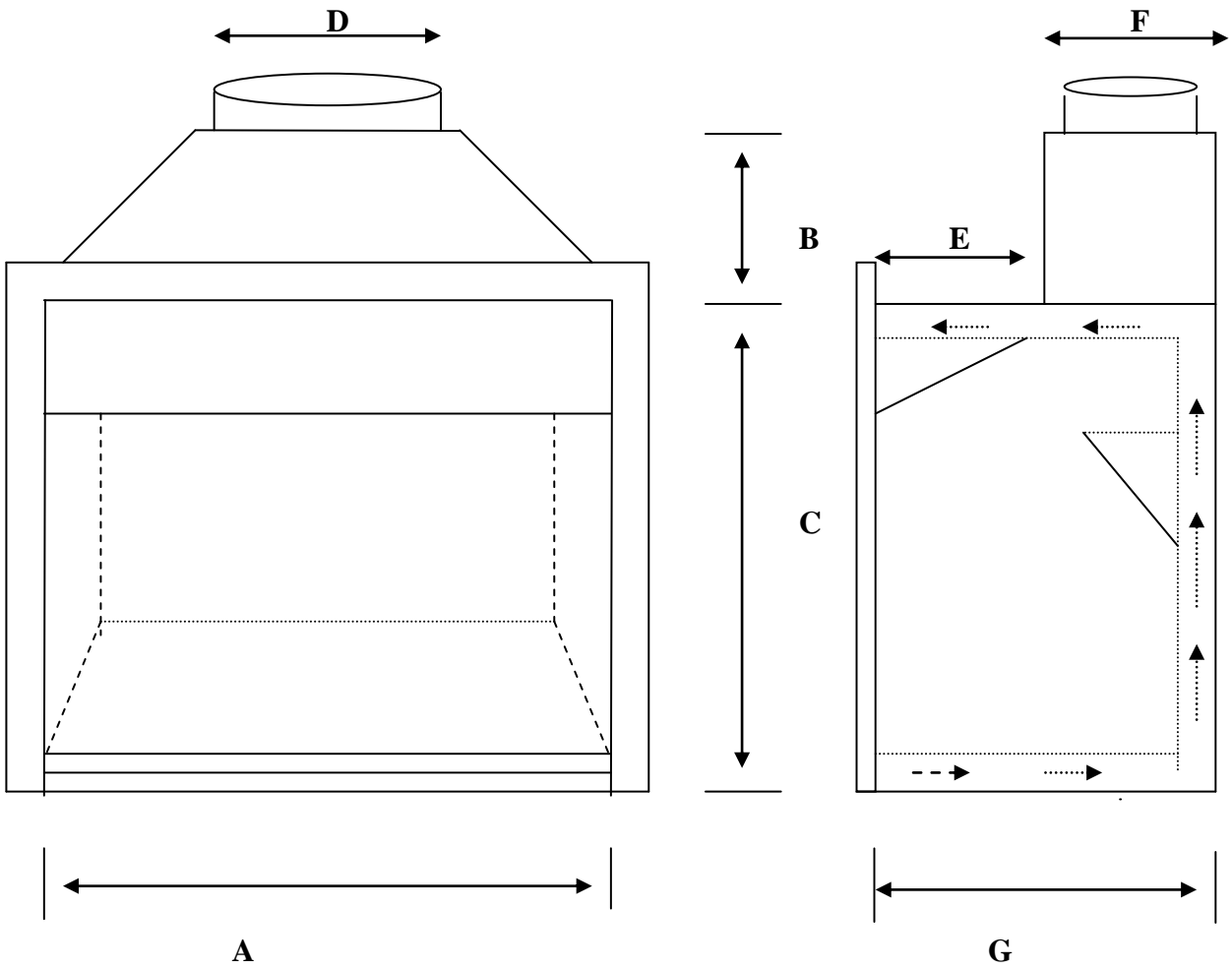


SPECIFICATIONS FOR BUILD-IN FIREPLACES



PRODUCT	A	B	C	D	E	F	G
MEASUREMENTS GIVEN IN MILLIMETRE							
600	600	270	695	200 Ø	280	220	500
700	700	270	695	230 Ø	250	250	500
850	850	270	695	250 Ø	230	270	500
1050	1050	270	795	300 Ø	180	320	500
1200	1200	320	795	350 Ø	230	370	600