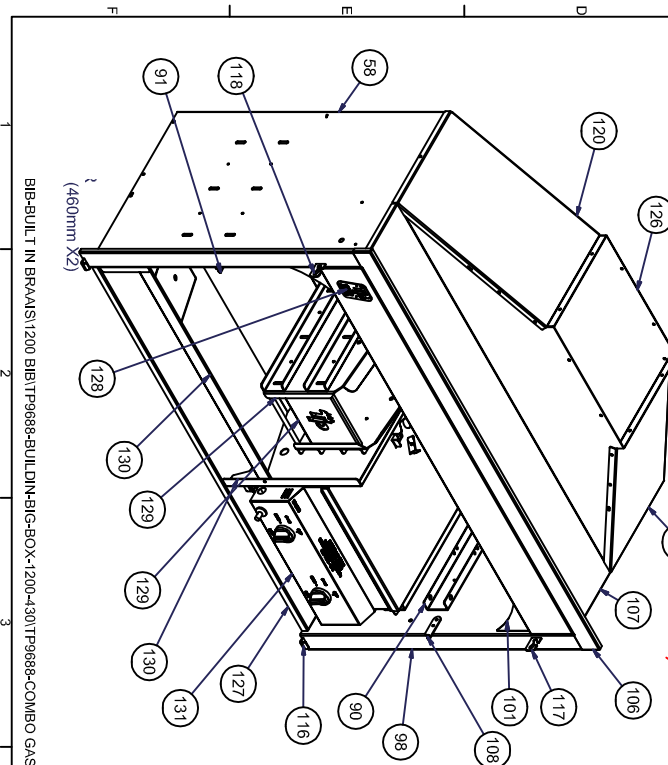
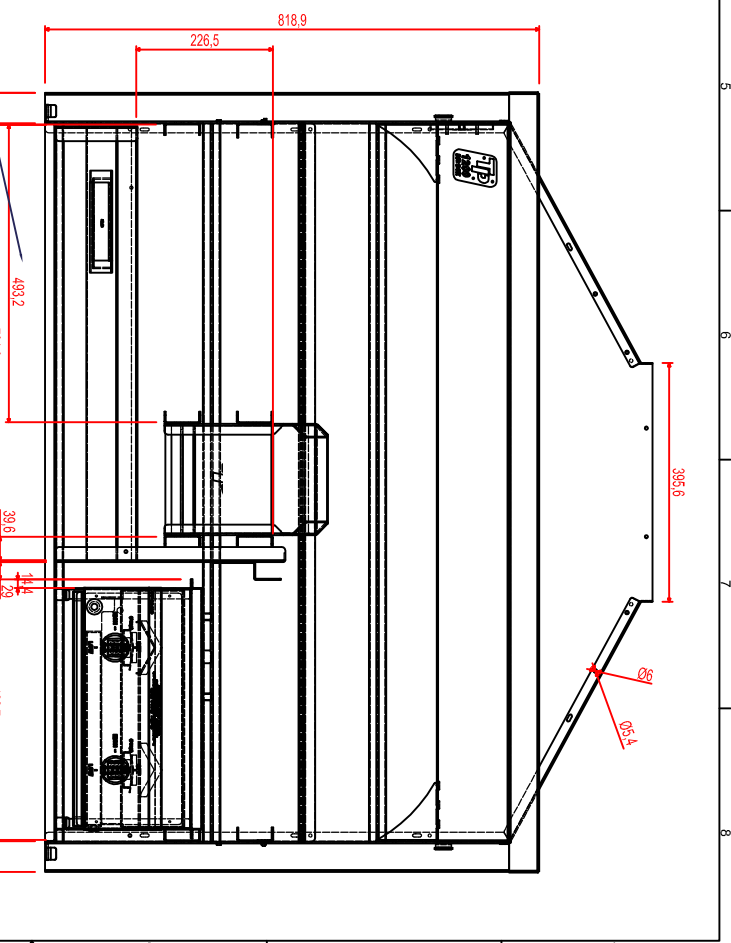
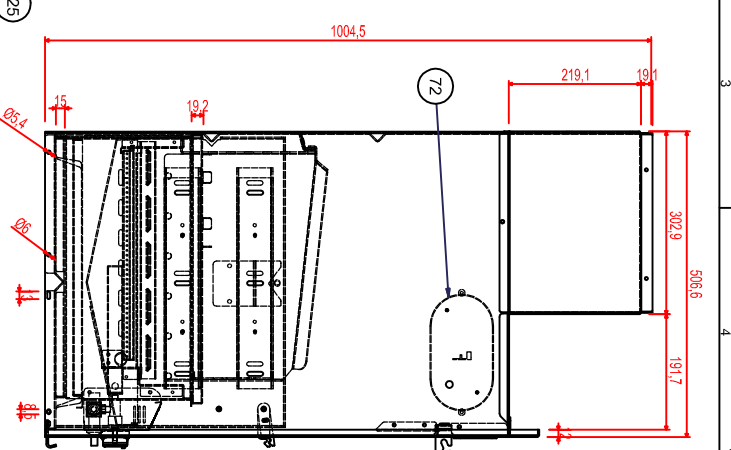
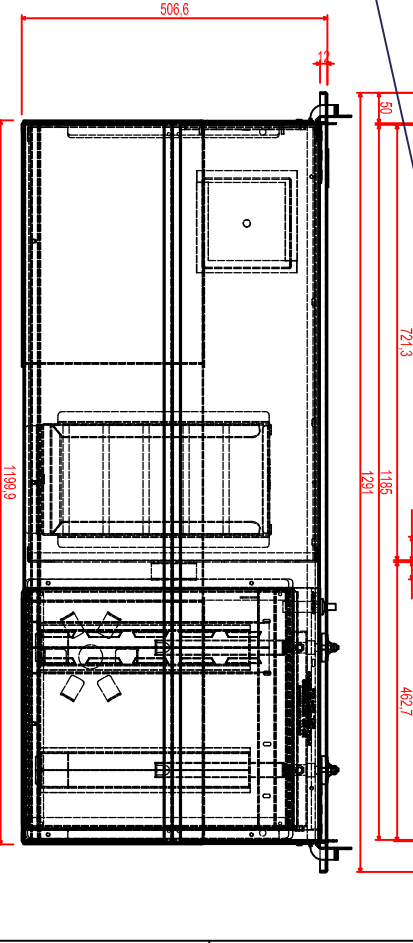


ITEM	QTY	PART NUMBER	DESCRIPTION
58	1	TP9688C	
63	1	TP9688M	
72	1	LIGHT FITTING ALU - BLUMAS WH	
75	2	M4X20-STUD	
82	1	TP9762R-rev.3	
84	4	M5X2-MINARB-SS	
88	2	TP15710D-BLANK	
90	2	TP15710D-POTJIE	
91	1	TP15953K	
94	1	TP9688V4h	
98	1	TP9688B	
101	1	TP9688V	
106	1	TP9688E	
107	1	TP9688D	
108	1	TP15953P	
109	1	M6X10-STUD	
110	1	TP9762Q	
116	1	TP15953L-RH	
117	1	TP9688X	
118	1	TP9688X_MIR	
120	1	TP9688H_MIR	
125	1	TP9688H	
126	1	TP9688H-1-TOP	
127	1	TP9688A2-BOTTOM	
128	1	TP9688Z	
129	1	TP15710	
130	1	TP6465ABC	
131	1	TP20499	
132	1	TP68960	



GRID 490X460



CLIENT: TPP		TOLERANCE		APPROVALS		DATE		TITLE	
PROGRAM: 9688		±0.1mm		DRAWN		2019/01/24		1200 SS BUILD IN, LARGE BOX	
REFERENCE: 9688		1 BEND ±0.2mm		USM				COMBO.	
CLIENT DWG:		BEND TO BEND ±0.2mm		APPROVED				BRUSHED	
OPERATIONS:		ANGLES ±0.5		ORDER DATE		2020-09-30		MATERIAL	
1) LASER		(SS 308 PT13)		SHEET 1		OF 1		2.0mm 430 SS	
2) DEBURR				SCALE				Dwg. No: TP9688-COMBO	
3) BEND								QTY: 1	
4) POP REVIT									
5) WELD									
BIB-BUILD IN BRAAS1200 BIB1TP9688-BUILD IN-BIG-BOX-1200-430TP9688-COMBO GASTP9688-SSMBO.dwg									