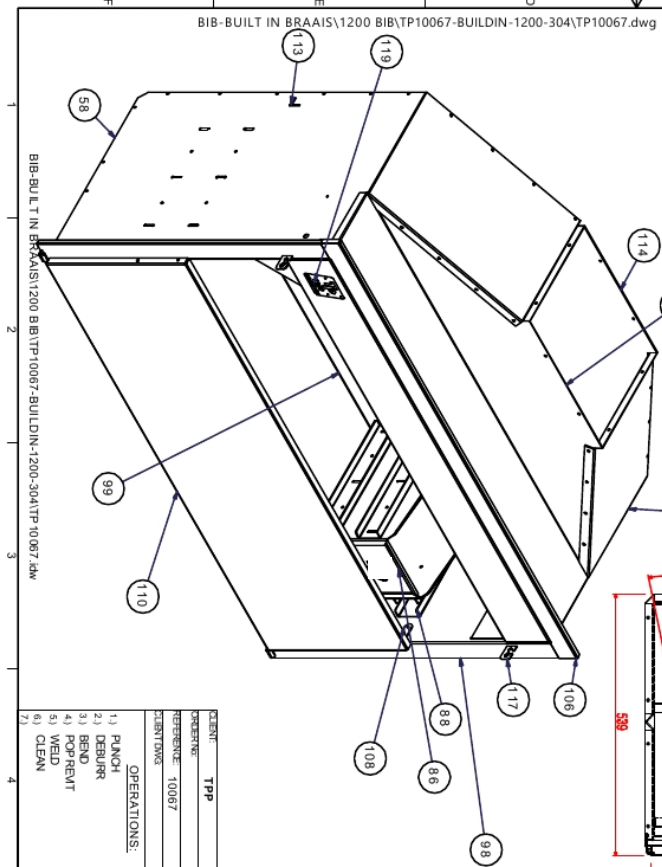
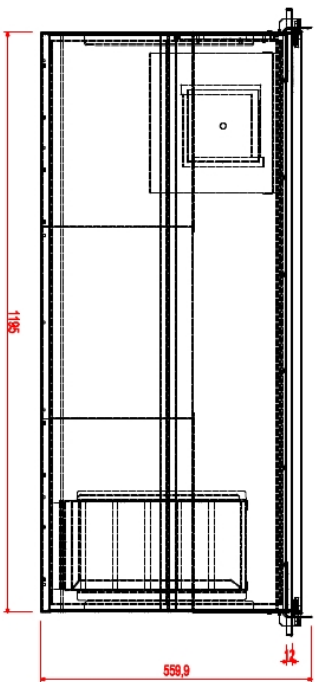
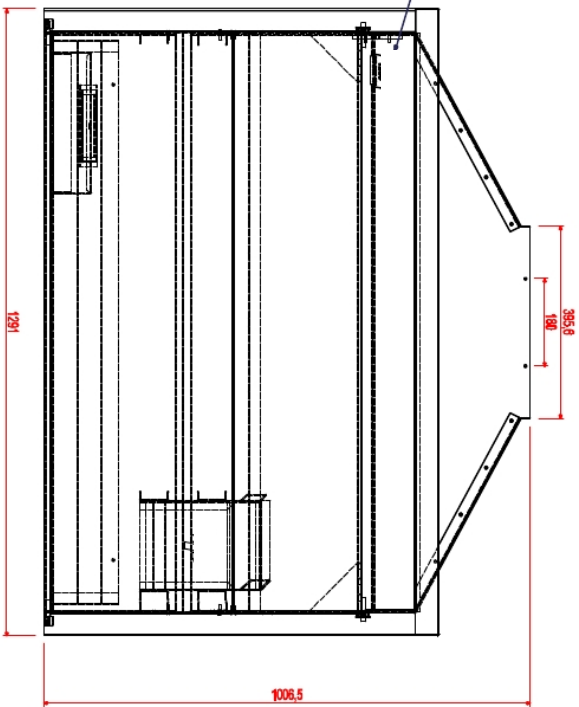
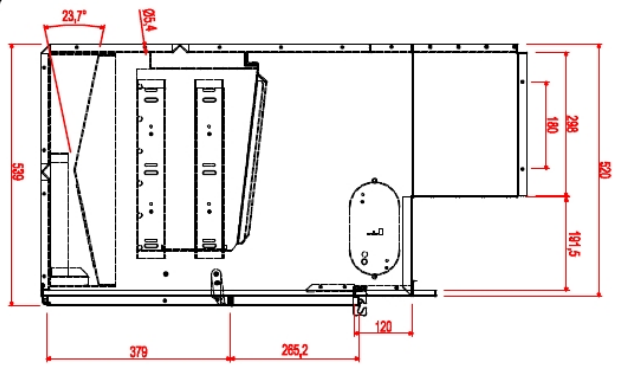


ITEM	QTY	PART NUMBER	DESCRIPTION
111	1	TP9688A	
58	1	TP9688C	
107	1	TP10067D	
106	1	TP9688E	
98	1	TP9688B	
101	1	TP9688V	
114	1	TP9688H	
113	1	TP9688J	
63	1	TP9688M	
72	1	LIGHT FITTING ALU -	BLACK ALU
		BLM35 WH	FITTING
75	2	M4X20-STUD	
82	1	TP9762R-REV.3	
84	4	M5X2-MINARB-SS	
86	1	TP15710	
88	3	TP15710D-BLANK	
90	1	TP15710D-PTJIE	
91	1	TP15953K	
94	1	TP9688V4H	
99	1	TP9465A4C	
108	1	TP15953P	
109	1	M5X10-STUD	
110	1	TP9762C	
116	1	TP15953L-RH	
117	1	TP9688X	
118	1	TP9688X_MIR	
119	1	TP9688I	



CLIENT: TPP	PROJECT: 10067	TOLERANCE	APPROVALS	DATE	TITLE	DWG. NO.	QTY
OPERATIONS:	1) PUNCH 2) DEBURR 3) BEND 4) POP-RENT 5) WELD 6) CLEAN	± 0.1mm ± 0.2mm ± 0.3mm ± 0.5	DRAWN LAW	2018/04/08	BUILD IN 1200 (304) - BIG BOX	TP10067-304	1
FINISH	BRUSHED	ORDER DATE	2018-08-19	MATERIAL	2.0mm 304 SS		
SHEET 1	OF 1	SCALE					

BIB-BUILT IN BRAAIS\1200 BIB\TP10067-BUILDIN-1200-304\TP10067.dwg

BIB-BUILT IN BRAAIS\1200 BIB\TP10067-BUILDIN-1200-304\TP10067.dwg