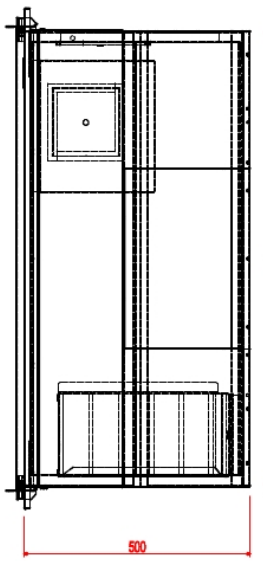
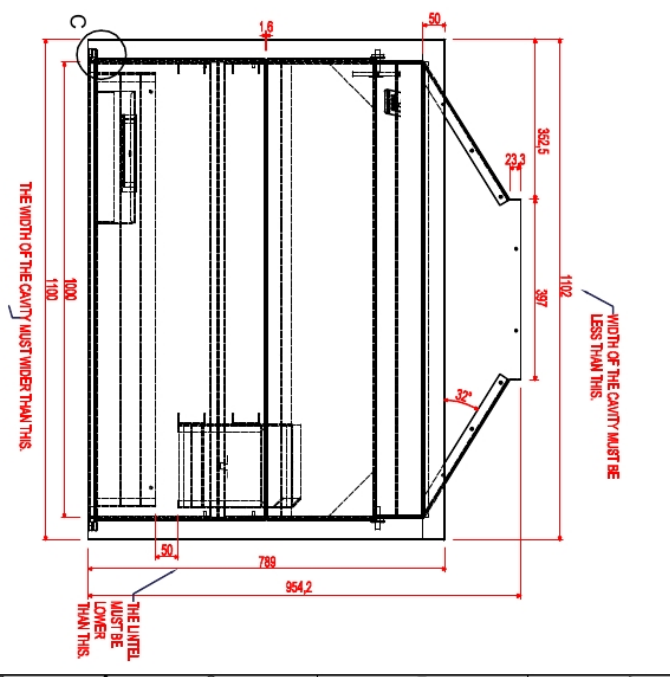
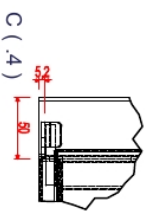
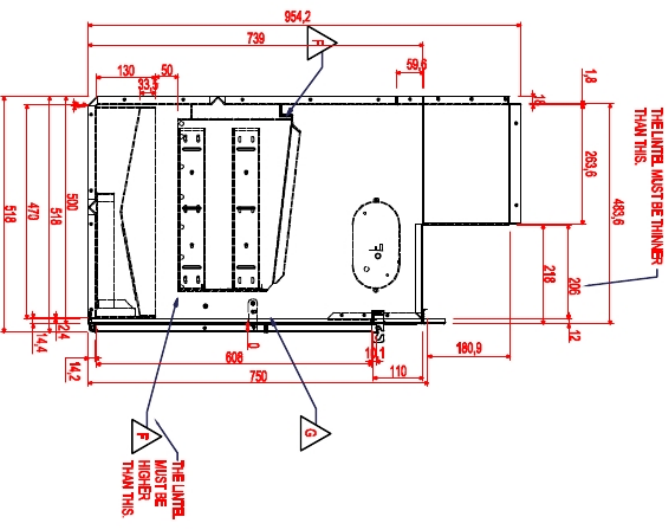
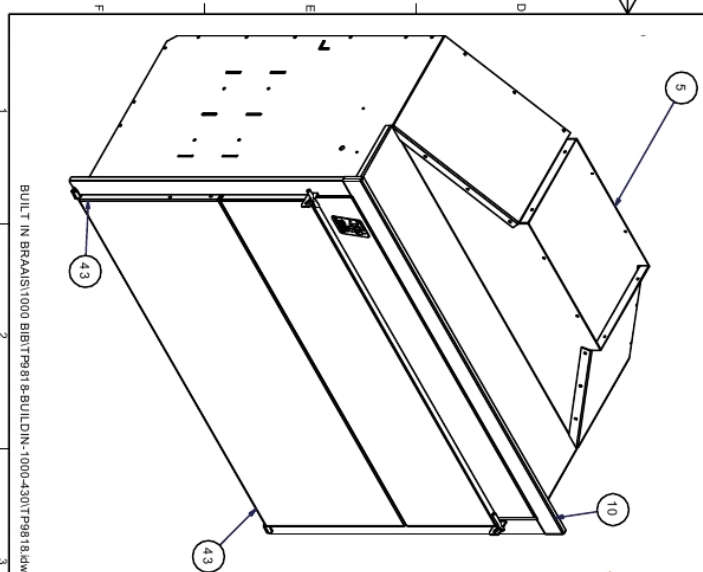


ITEM	QTY	PART NUMBER	DESCRIPTION
1	1	TP9688A	
5	1	TP9688H	
10	1	TP9688E	
32	1	LIGHT FITTING ALU - BLJMS WH	BLACK LIGHT ALU FITTING
42	1	TP98180	
43	1	TP98181	
47	1	TP15710	
49	1	TP9688C	
50	2	TP15710D-POTJUE	
51	1	M5X2-MINARB-SS	
52	1	TP15710D	
53	1	TP6455ABC	
55	1	LOGO - 1000 - BIG BOX	
56	1	TP9688V	
57	1	TP9688V-4h	
58	2	TP9688U	
60	2	TP15593K	
62	1	M5X10-STUD	
63	1	TP9688J	
64	1	TP9818D-dev-2	
65	1	TP9818B	
66	1	TP15593L-RH	
67	1	TP9688W	



BUILT IN BRAAINS1000 BIRITP9818-BUILD-IN-1000-430TP9818LKW

CLIENT: TPP	ORDERING: 9918	OPERATIONS:	1) PUNCH 2) DEBURR 3) BEND 4) POP REWIT 5) WELD 6) CLEAN
TOLERANCE	HOLES ± 0.1mm 1 BEND ± 0.2mm BEND TO BEND ± 0.3mm ANGLES (BS 308P13) ± 0.5	APPROVALS	DATE
DRAWN: User	22/02/2013	TITLE	BUILD IN 1000, BIG BOX 304
APPROVED		FINISH	PVC
ORDER DATE	2013-02-21	MATERIAL	2.0mm 304 SS, BRUSHED
SHEET 1	OF 1	SCALE	
QTY:			