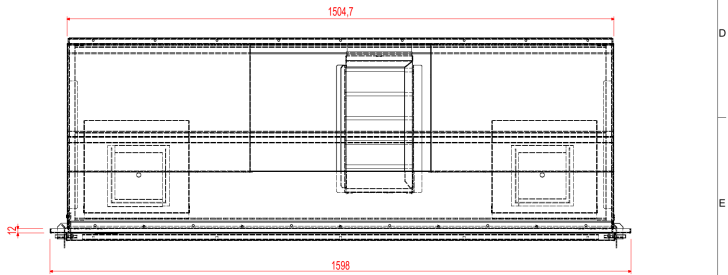
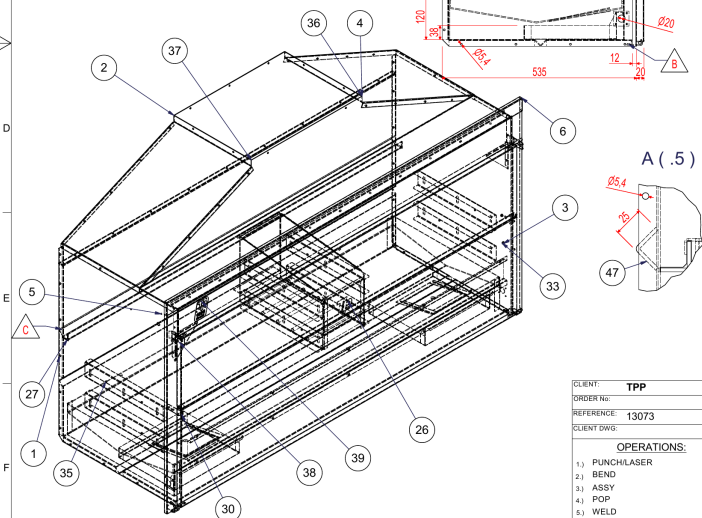
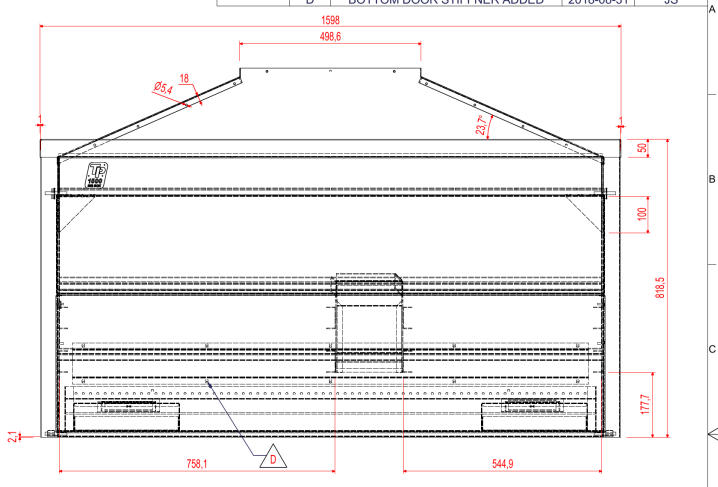
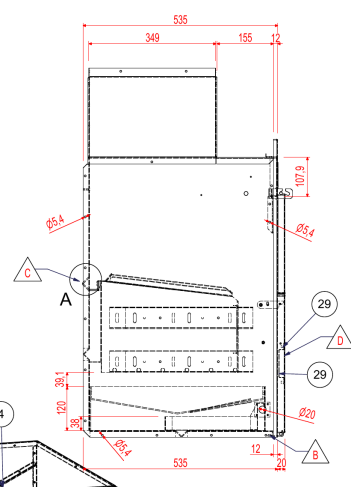


Parts List			
ITEM	QTY	PART NUMBER	DESCRIPTION
1	1	TP9688A	
2	1	TP9688H	
3	1	TP9688B	
4	1	TP9688D	
5	1	TP9688C	
6	1	TP9688E	
11	1	TP9688V	
21	1	TP13073P	
23	3	TP6465ABC	
26	1	TP15710	
27	1	TP9688J	
29	1	TP13073N	
30	1	TP15953P	
31	1	TP13073O	
33	3	M5X2-MINARB-SS	
34	1	M5X10-STUD	
35	4	TP15710D-BLANK	
36	1	TP13073F	
37	1	TP13073K	
38	2	TP15953H-new	
39	1	TP13073R-LOGO	
42	1	TP9688V-lh	
43	1	TP9688M	
44	1	TP15953L-RH	
47	1	TP13073L	

REVISION HISTORY				
ZONE	REV	DESCRIPTION	DATE	APPROVED
B		BOTTOM HINGES LIFTED 2.0mm	2017-11-09	JS
C		ANGLE ADDED FOR EXTRA STRENGTH	2018-02-14	JS
D		BOTTOM DOOR STIFFNER ADDED	2018-08-31	JS



BUILT IN BRAAIS\1500 BIB\TP13073-BIB-1500-430\TP13073.idw

CLIENT: TPP	REV: D	PROJECT		TITLE BIB 1500.
ORDER No:		APPROVALS	DATE	
REFERENCE: 13073		JOHAN STEYN	2017/10/04	FINISH BRUSHED
CLIENT DWG:		APPROVED		
OPERATIONS:		ORDER DATE	2017-10-04	MATERIAL 2.0mm 430 SS
1.) PUNCHLASER	TOLERANCE HOLES ± 0.1mm 1 BEND ± 0.2mm BEND TO BEND ± 0.3mm ANGLES ± 0.5° (BS 308 PT3)	SHEET 1	OF 1	Dwg. No. TP13073
2.) BEND		SCALE		
3.) ASSY				QTY: 1
4.) POP				
5.) WELD				
6.) CLEAN				
7.)				