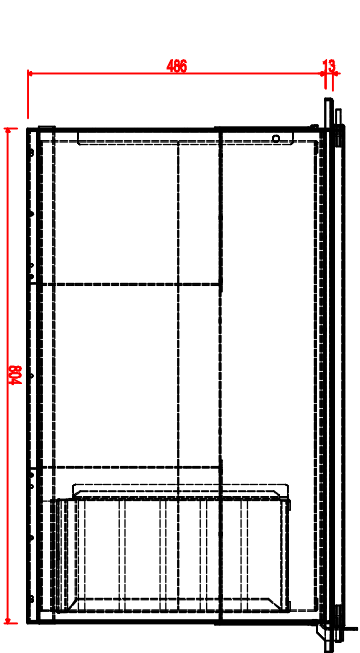
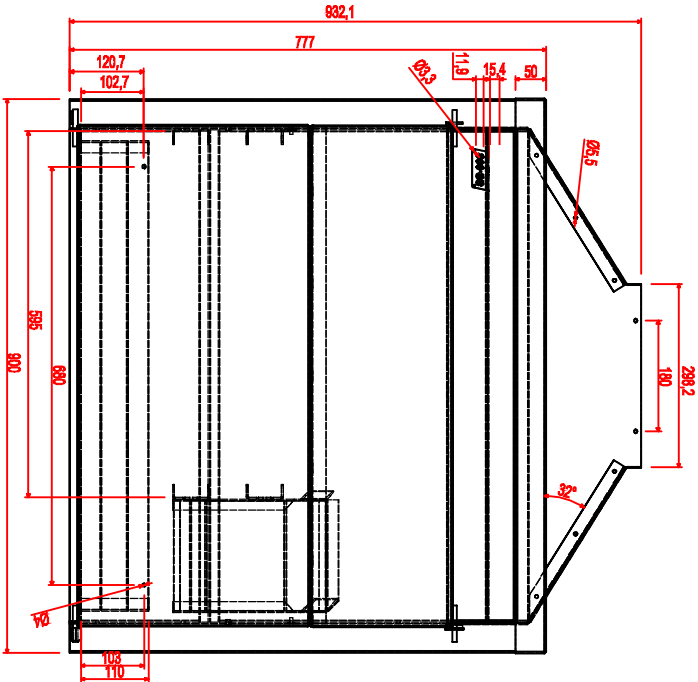
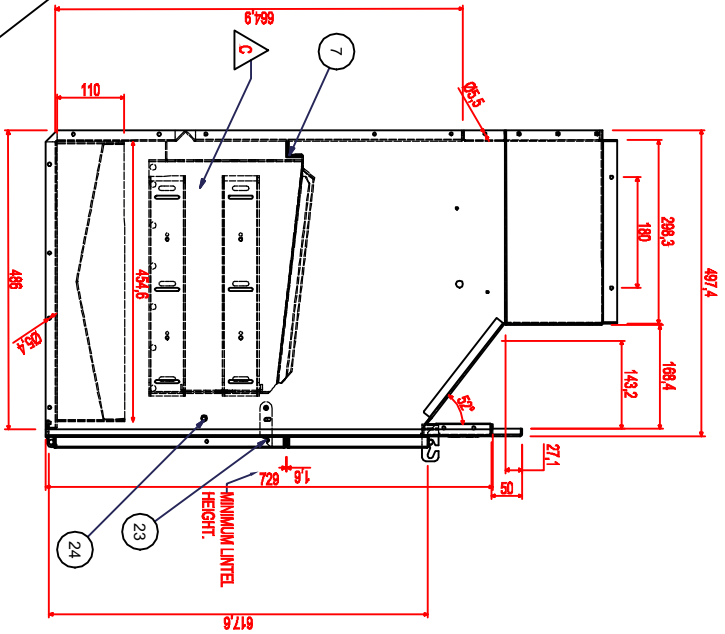
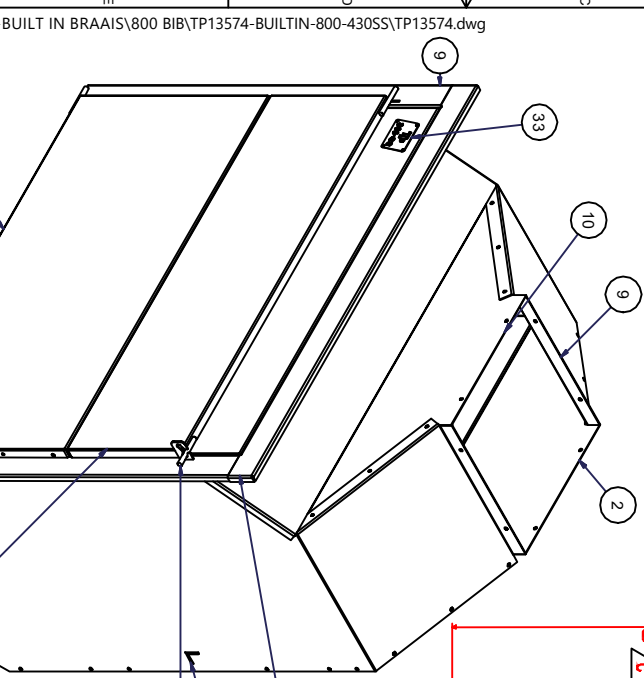


ITEM	QTY	PART NUMBER	DESCRIPTION
1	1	TP9688A	
2	1	TP9818F-REV-B	
6	1	TP9688E	
7	1	TP9688J	
9	1	TP9688C	
10	1	TP9818D-REV-B	
13	1	TP8877B	
14	1	TP5472C	
15	4	TP5472F	
23	2	M5X15mm-STUD	
24	2	M6-2-MINARB	
25	1	TP9688U	
26	1	TP15710	
27	2	TP15710D-POT/JIE	
29	1	TP14460C	
30	1	TP15963L-RH	
31	1	TP9688B	
32	1	TP15963K	
33	1	TP13574P	

GRID SIZE: 570X460 ZINC PLATED.



CLIENT	TPP	REV	D	PROJECT	TITLE
REFERENCE	13574	TOLERANCE		APPROVALS	800 BUILT IN BRAAI
CLIENT DWG		Holes	± 0.1mm	DRAWN	BRUSHED
OPERATIONS:				DATE	FINISH
1) PUNCH		1 BEND	± 0.2mm	2015/01/15	
2) DEBURR		BEND TO BEND	± 0.3mm	APPROVED	
3) BEND		ANGLES	± 0.5	2015-01-16	
4) INSERTS		(BS 308 PT3)		ORDER DATE	
5) WELD				SHEET 1 OF 1	
6) ASSY				Dwg. No:	TP13574
7) CLEAN & RAP				SCALE	QTY: 2

BUILT IN BRAAIS\800 BIB\TP13574-BUILTIN-800-430SS\TP13574.dwg

BUILT IN BRAAIS\800 BIB\TP13574-BUILTIN-800-430SS\TP13574.dwg