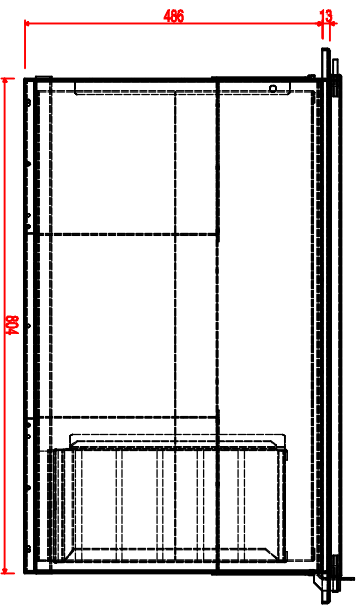
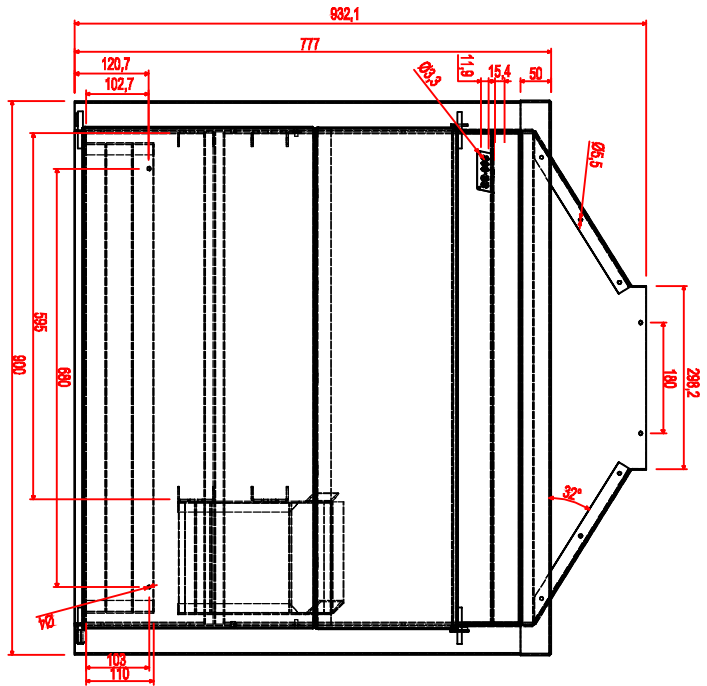
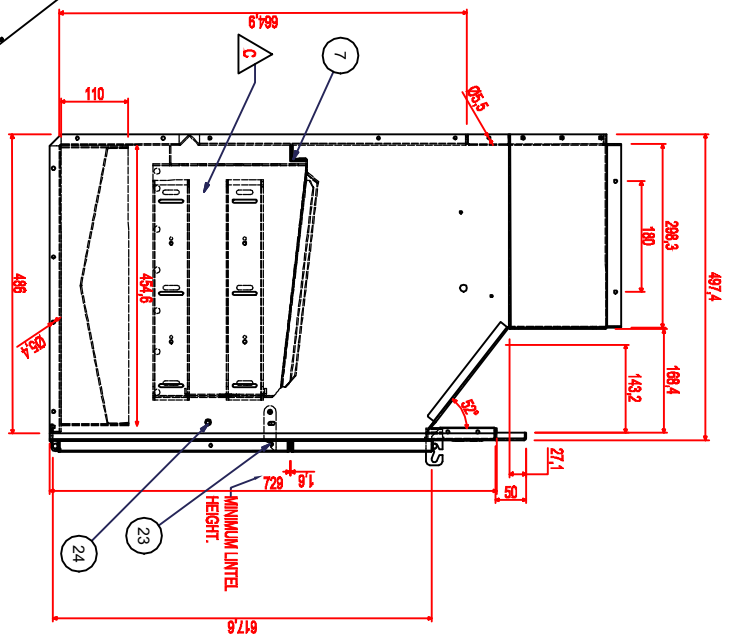
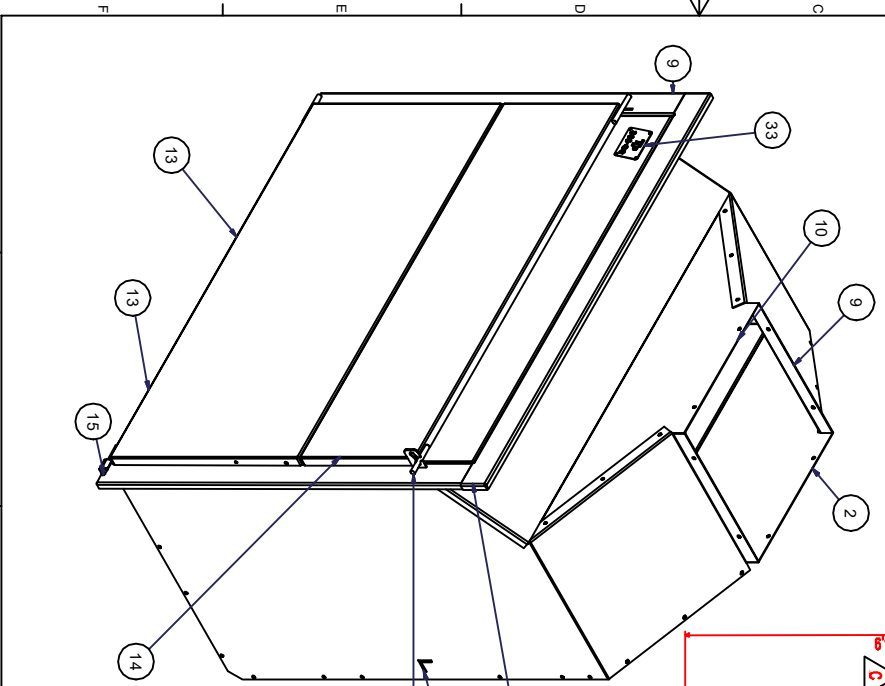


Parts List		
ITEM	QTY	PART NUMBER DESCRIPTION
1	1	TP9688A
2	1	TP9818F-rev-B
6	1	TP9688E
7	1	TP9688J
9	1	TP9688C
10	1	TP9818D-rev-B
13	1	TP8877B
14	1	TP5472C
15	4	TP5472F
23	2	M5X15mm-STUD
24	2	M6-2-MINARB
25	1	TP9688U
26	1	TP15710
27	2	TP15710D-POT.JIE
29	1	TP14460Q
30	1	TP15953L-RH
31	1	TP9688B
32	1	TP15953K
33	1	TP13574P

GRID SIZE: 570X460 ZINC PLATED.



CLIENT: TPP	REV: D	PROJECT: APPROVALS	DATE: 2015/01/15	TITLE: 800 BUILT IN BRAAI - 304 SS
REFERENCE: 13574	TOLERANCE: ±0.1mm	DRAWN: Johan Steyn	DATE: 2015/01/15	FINISH: BRUSHED
CLIENT Dwg:	Holes: ±0.2mm	APPROVED:	ORDER DATE: 2015-01-16	MATERIAL: 2.0mm 304 SS
OPERATIONS:	BEND: ±0.2mm	DATE:	SHEET: 1 OF 1	Dwg. No: TP13574-304
1) PUNCH	BEND TO BEND: ±0.3mm	SCALE:	QTY: 2	
2) DEBURR	ANGLES: ±0.05			
3) BEND	(BS 308 PT3)			
4) INSERTS				
5) WELD				
6) ASSY				
7) CLEAN & RAP				