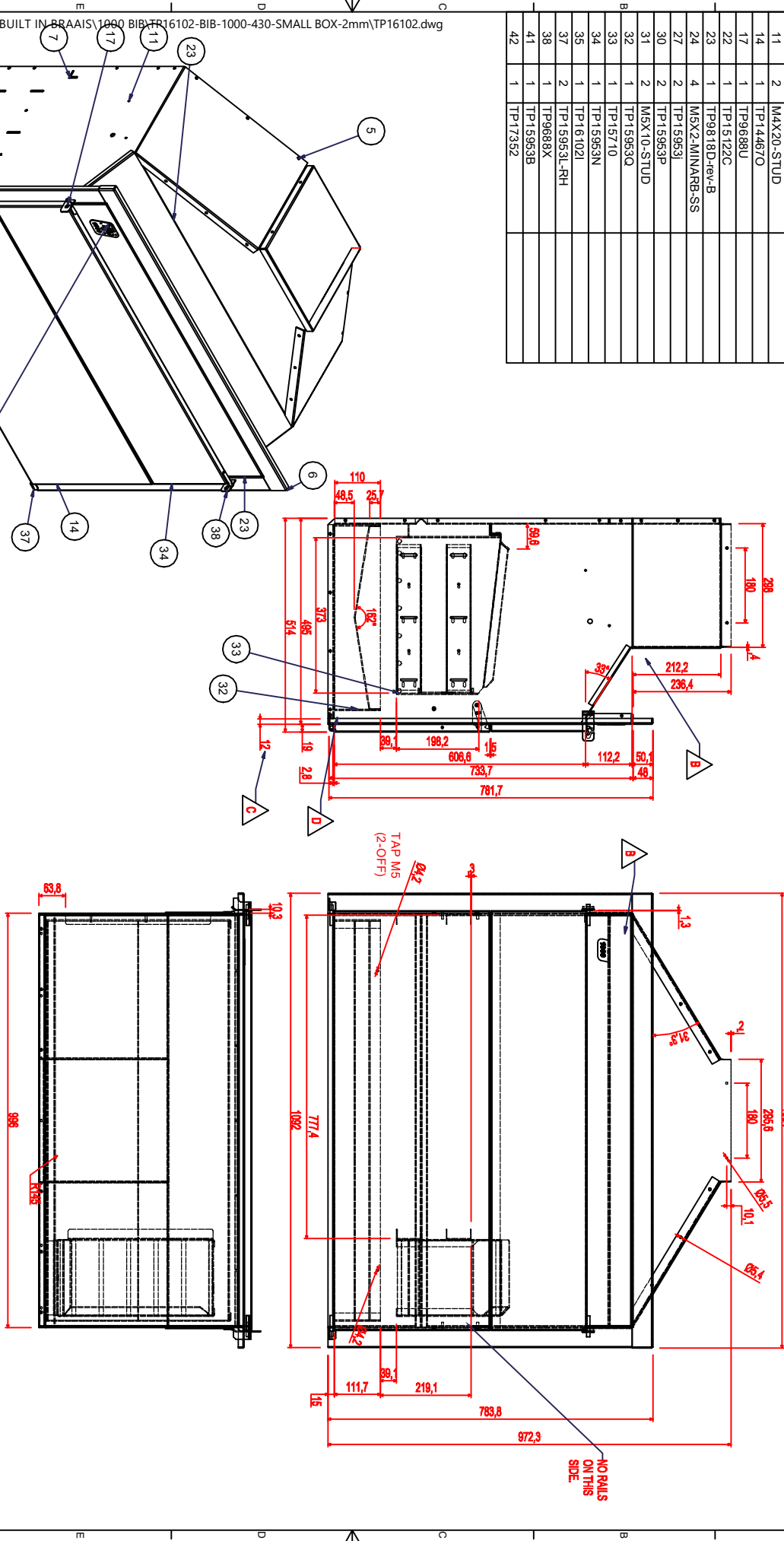
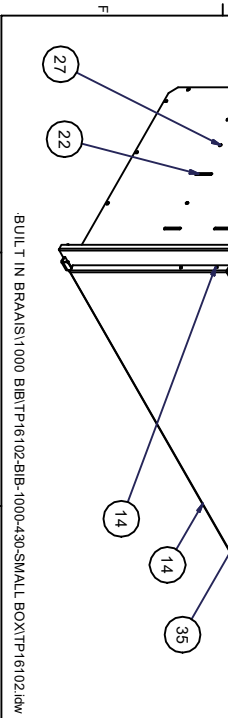


ITEM	QTY	PART NUMBER	DESCRIPTION
1	1	TP9688A	
5	1	TP9818F-rev-B	
6	1	TP9688E	
7	1	TP9688J	
11	2	M4X20-STUD	
14	1	TP14467D	
17	1	TP6688U	
22	1	TP15122C	
23	1	TP9818D-rev-B	
24	4	M5X2-MINARB-SS	
27	2	TP15953J	
30	2	TP15953P	
31	2	M5X10-STUD	
32	1	TP15953Q	
33	1	TP15710	
34	1	TP15953N	
35	1	TP16102L	
37	2	TP15953L-RH	
38	1	TP9688X	
41	1	TP15953B	
42	1	TP17952	

WEIGHT: 89KG
 OUTSIDE DIMS: 1094X973X514mm DEEP.



BUILT IN BRAAIS\1000 BIB\TP16102-BIB-1000-430-SMALL BOX-2mm\TP16102.dwg



BUILT IN BRAAIS\1000 BIB\TP16102-BIB-1000-430-SMALL BOX\TP16102.dwg

CLIENT	TPP	REV	D	PROJECT	TITLE
REFERENCE	15953	TOLERANCE		APPROVALS	BIB 1000 - 2mm 430 ECONO. 300X300 flue.
CLIENT DWG		Holes	± 0.1mm	DATE	
OPERATIONS:		1. BEND	± 0.2mm	13/12/2016	
1) PUNCH		2. BEND TO BEND ± 0.3mm		APPROVED	
2) DEBURR		3) ANGLES	± 0.5	ORDER DATE	2017-02-08
3) WELD		4) (BS 308 PT3)		FINISH	BRUSHED
4) CLEAN				SHEET	1
5) CLEAN				OF	1
6) CLEAN				DWG No:	TP16102
7) CLEAN				SCALE	
8) CLEAN				QTY:	2