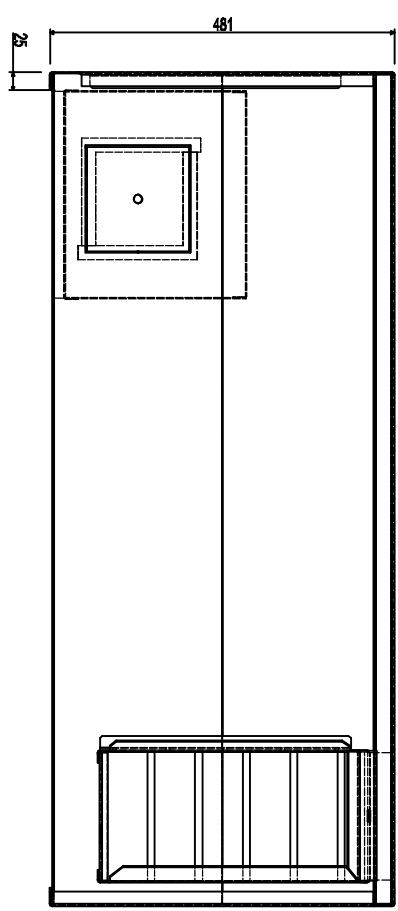
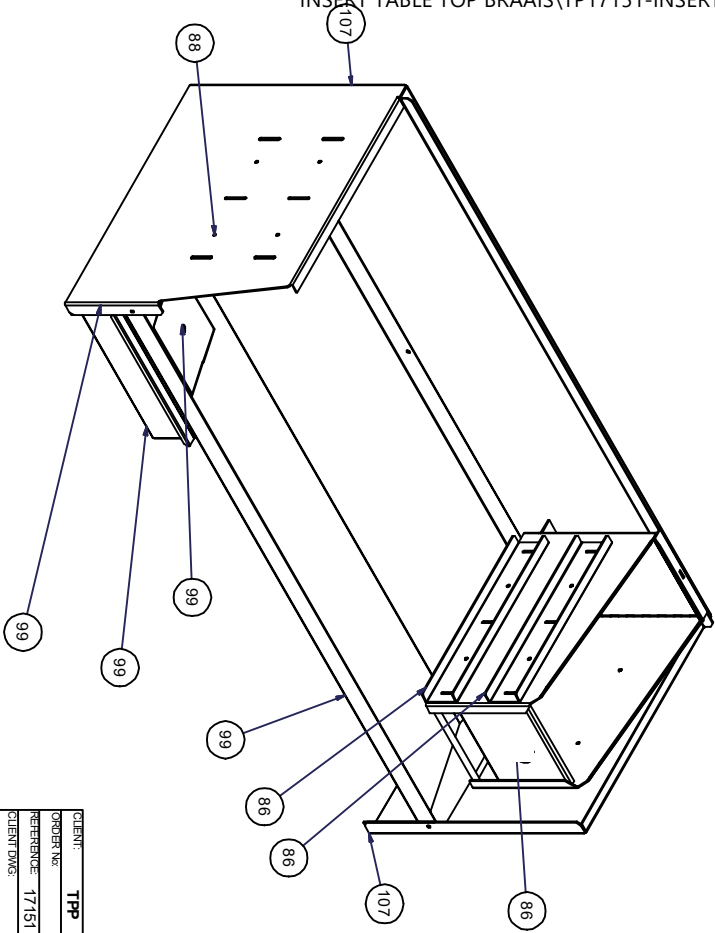
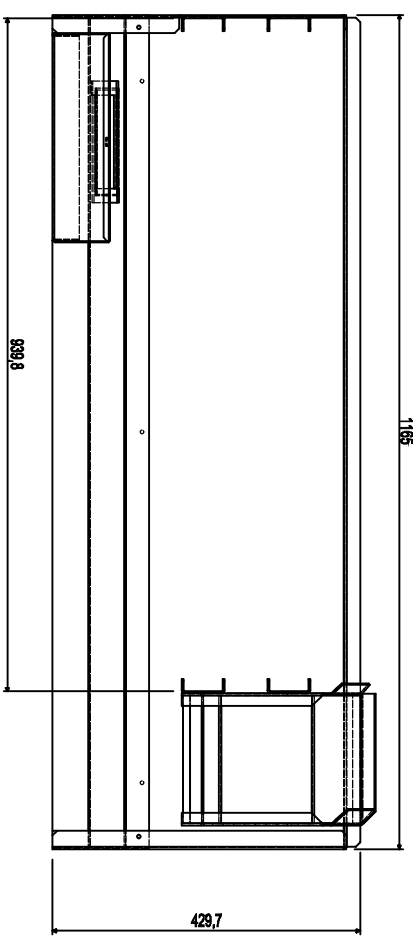
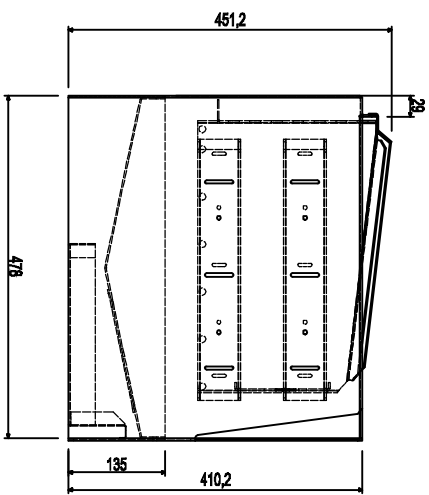


Parts List			
ITEM	QTY	PART NUMBER	DESCRIPTION
86	1	TP15710	
88	2	TP15710D-BLANK	
99	1	TP6465ABC	
107	1	TP17151A-rev-2	



INSERT TABLE TOP BRAAIS\TP17151-INSERT STANDALONE BIB 1200 - 430 SS\TP17151.dwg

\\1200 BIB\TP17151\INSERT STANDALONE BIB 1200 - 430 SS\TP17151.dwg

CLIENT: <b>TPP</b>		REV:	PROJECT	
ORDER NO:	REFERENCE: 17151	TOLERANCE		APPROVALS
CLIENT'S DWS:	OPERATIONS:	HOLES ±0.1mm	DRAWN Johan Steyn	DATE 2017/10/17
1) PUNCH/LASER	2) DEBURR	1 BEND ±0.2mm	APPROVED	
3) BEND	4) WELD	BEND TO BEND ±0.3mm	ORDER DATE 2017-10-17	TITLE INSERTS STAND ALONE 1200 BIB
5) CLEAN		ANGLES ±0.5°		FINISH
		(BS 308 PT3)		MATERIAL
			SHEET 1 OF 1	Dwg. No:
			SCALE	QTY: 1