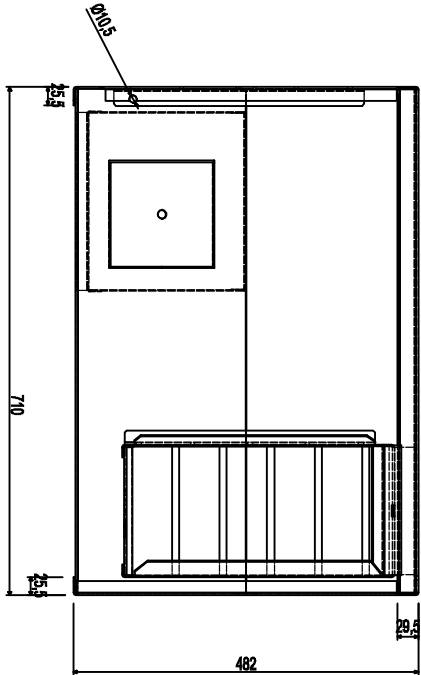
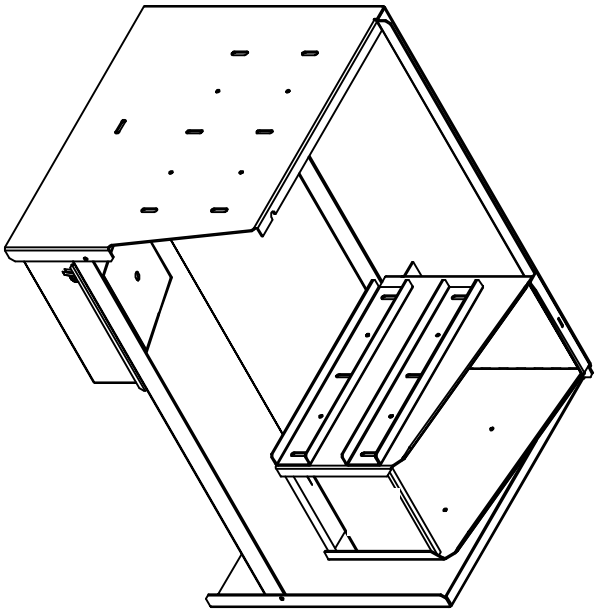
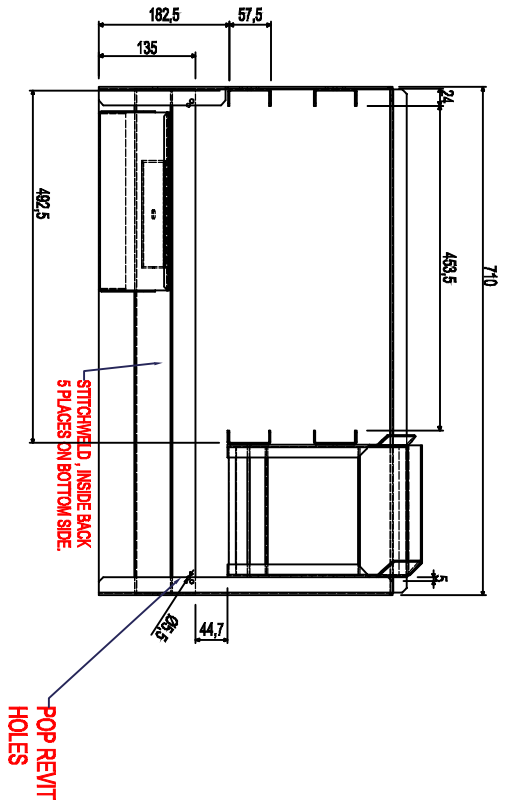
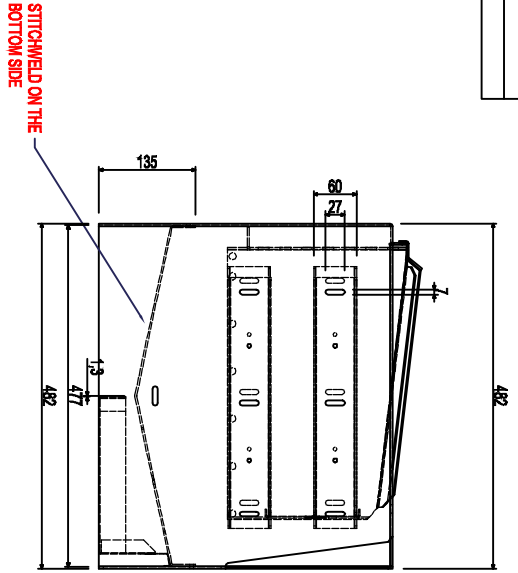


Parts List			
ITEM	QTY	PART NUMBER	DESCRIPTION
110	1	TP17151A-rev-2	
111	1	TP11674B-900	
112	1	TP15710	
113	1	TP7907E	
115	2	TP15710D-POITJIE	



INSERT TYPE BRAAIS\TP11674-700 BRAAI INSERT\TP11674-700.lbw

CLIENT: <b>TPP</b>	REV:	PROJECT	
ORDER NO:	<b>TOLERANCE</b>	APPROVALS	DATE
REFERENCE: 11674	±0.1mm	JOHAN SEYIN	2017/10/17
CLIENT'S EX:	±0.2mm	APPROVED	
OPERATIONS:	1 BEND ±0.3mm	ORDER DATE	2018-10-08
1) PUNCH/LASER	ANGLES ±0.5	SHEET 1	OF 1
2) DEBURR	(BS 308 PT3)	SCALE	
3) BEND		Dwg. No:	
4) WELD			
5) CLEAN			
6)			
7)			
TITLE		FINISH	
INSERTS STAND ALONE 700 BIB		MATERIAL	
QTY: 3			