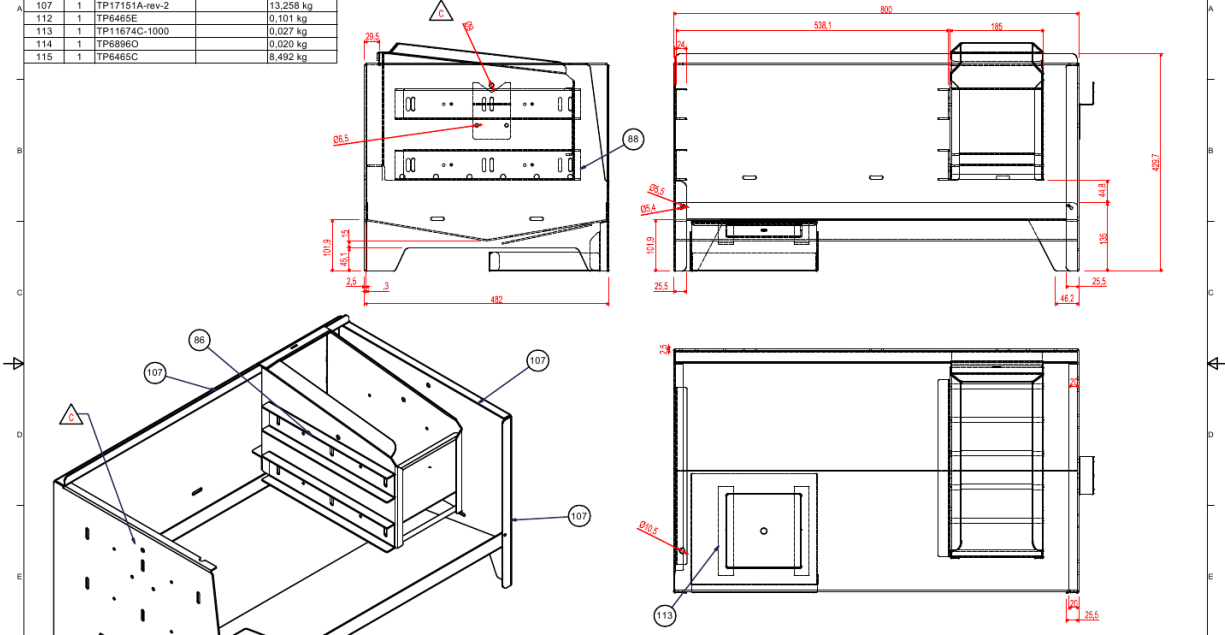


Parts List				
ITEM	QTY	PART NUMBER	DESCRIPTION	MASS
86	1	TP15710		0.959 kg
88	2	TP15710D-POTJIE		0.690 kg
107	1	TP17151A-rev-2		13.258 kg
112	1	TP6465E		0.101 kg
113	1	TP11674C-1000		0.027 kg
114	1	TP6896O		0.020 kg
115	1	TP6465C		8.492 kg

REVISION HISTORY				
ZONE	REV	DESCRIPTION	DATE	APPROVED
	B	CUT OUT IS DEEPER	2020-02-26	JS
	C	SPTT HOLES ADDED	2020-05-24	JS



CLIENT: <b>TPP</b>	REV: <b>C</b>	PROJECT:	TITLE: <b>800 TABLE TOP SS</b>
REFERENCE:	<b>TOLERANCE</b>	APPROVALS:	DATE:
CLIENT DWG:	HOLE: ± 0.1mm	DRAWN: <b>Johann Steyn IT</b>	2020/02/10
	1 BEND ± 0.2mm	APPROVED:	
	BEND TO BEND ± 0.3mm	ORDER DATE: <b>2020-02-26</b>	
	ANGLES ± 0.5°		
	(BS 308 PT3)		
<b>OPERATIONS:</b>		SHEET: <b>1</b> OF <b>1</b>	Dwg. No: <b>TP11674-800</b>
1) LASER		SCALE:	QTY: <b>2</b>
2) DEBURR			
3) BEND			
4) POP/REVT			
5) WELD			
6) POLISH			