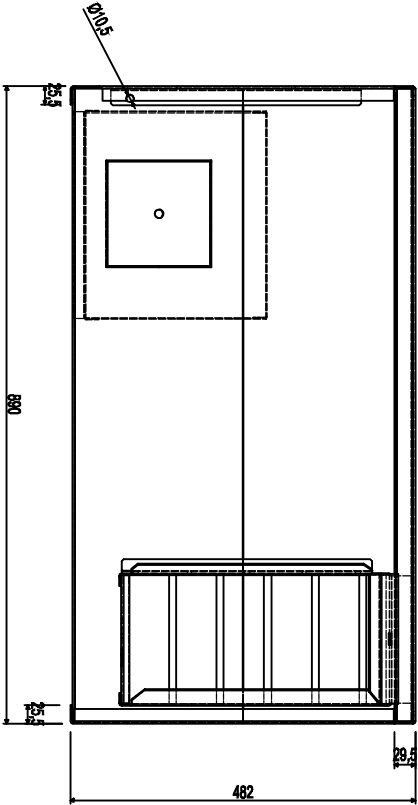
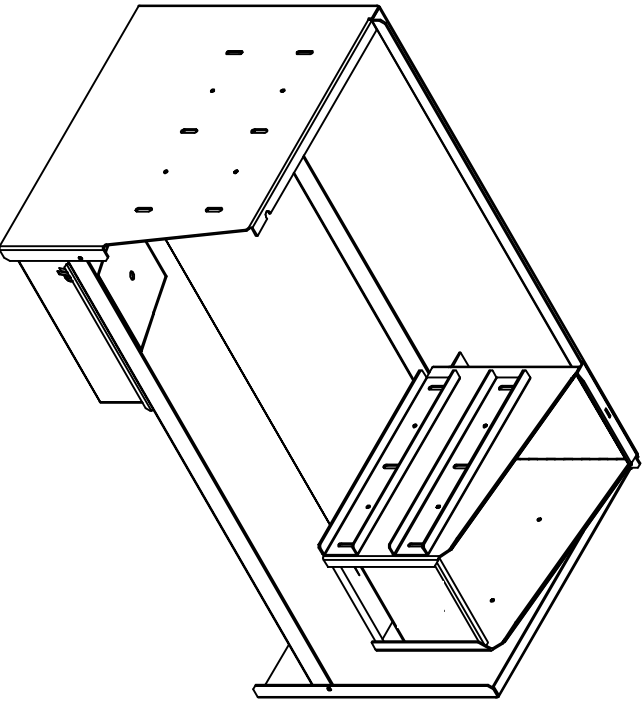
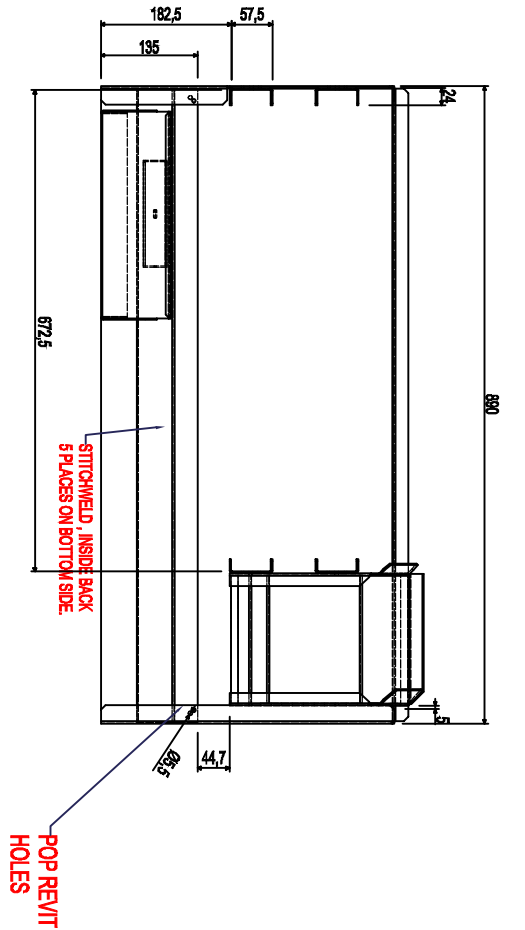
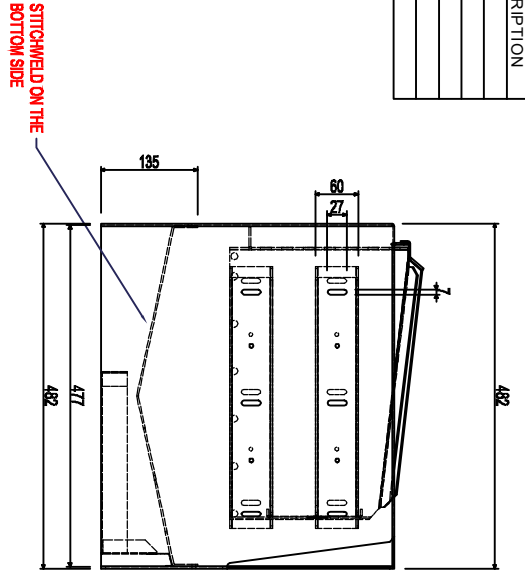


Parts List			
ITEM	QTY	PART NUMBER	DESCRIPTION
110	1	TP11674-REV-2	
111	1	TP11674B-900	
112	1	TP15710	
113	1	TP7907E	
115	2	TP15710D-POITJIE	



(INSERT TYPE BRAAIS\TP11674-900 BRAAI INSERT\TP11674-900.lbw

CLIENT: TPP	REV:	PROJECT:		TITLE: INSERTS STAND AL ONE 900 BIB
ORDER NO: 11674		APPROVALS:	DATE: 2017/10/17	FINISH:
CLIENTS: OPERATIONS:		DRAWN: Johan Steyn		MATERIAL:
1) PUNCH/LASER		APPROVED:		
2) DEBURR		ORDER DATE: 2018-10-08		
3) BEND				
4) WELD				
5) CLEAN				
6)				
7)				
TOLERANCE		SHEET 1 OF 1		Dwg. No:
HOLES ±0.1mm		SCALE		QTY: 3
1 BEND ±0.2mm				
BEND TO BEND ±0.3mm				
ANGLES ±0.5°				
(BS 308 PT3)				