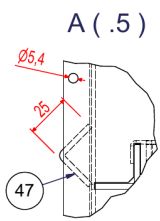
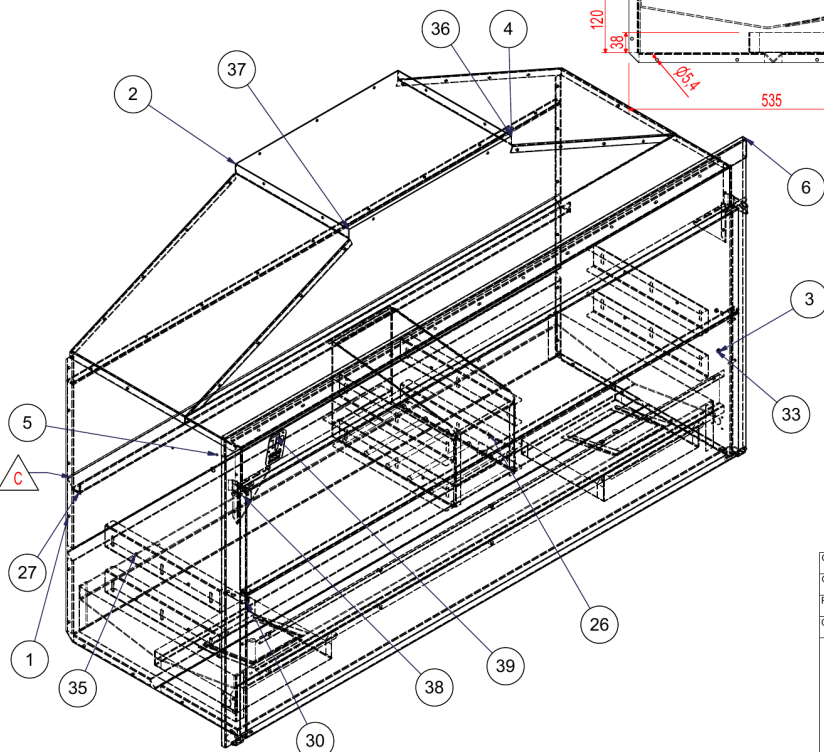
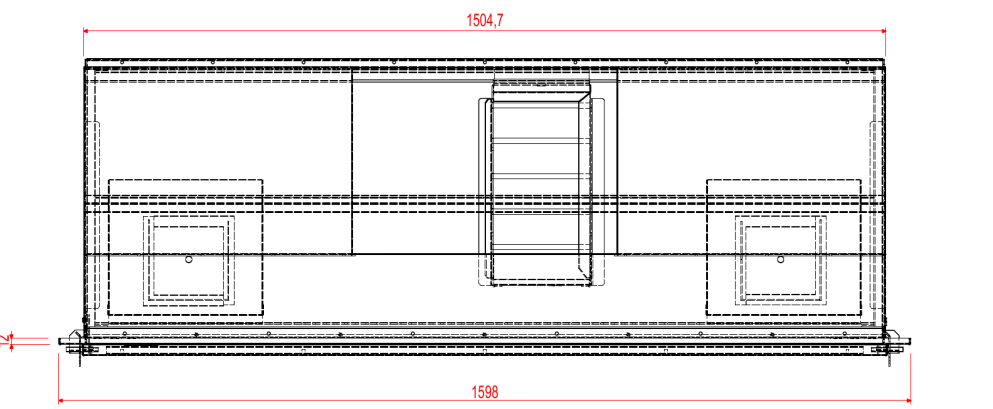
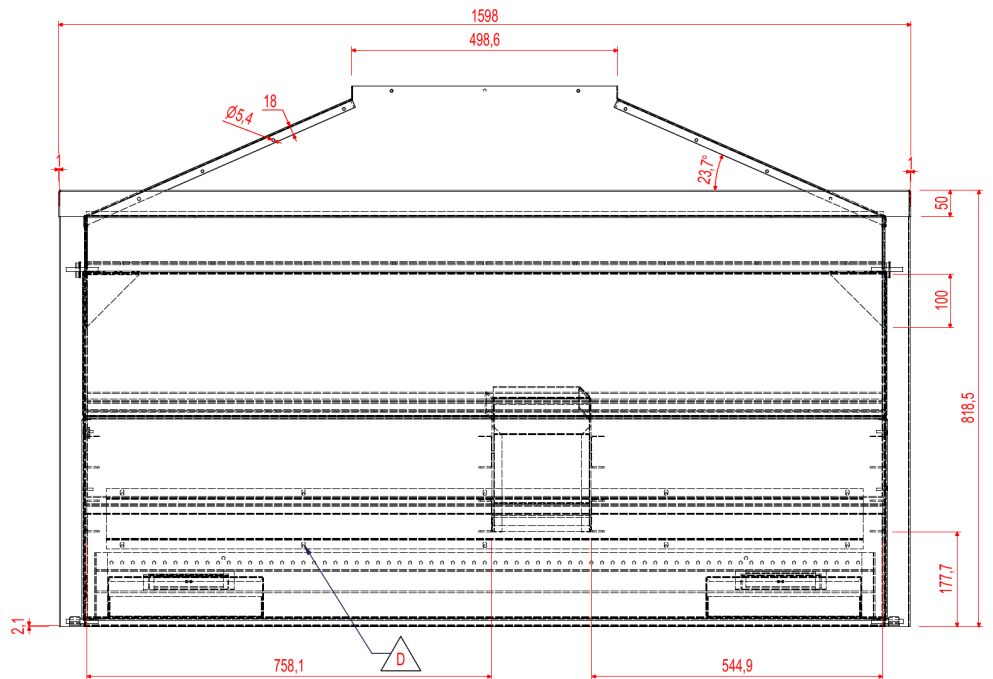
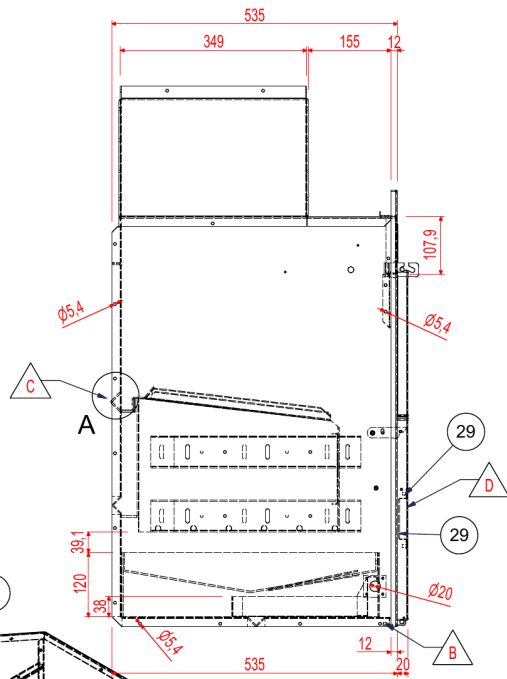


REVISION HISTORY				
ZONE	REV	DESCRIPTION	DATE	APPROVED
	B	BOTTOM HINGES LIFTED 2.0mm	2017-11-09	JS
	C	ANGLE ADDED FOR EXTRA STRENGTH	2018-02-14	JS
	D	BOTTOM DOOR STIFFNER ADDED	2018-08-31	JS



BUILT IN BRAAIS/1500 BIB

CLIENT: TPP	REV: D
ORDER No:	
REFERENCE: 13073	
CLIENT DWG:	
OPERATIONS:	
1.) PUNCH/LASER	
2.) BEND	
3.) ASSY	
4.) POP	
5.) WELD	
6.) CLEAN	
7.)	

TOLERANCE	
HOLES	± 0.1mm
1 BEND	± 0.2mm
BEND TO BEND	± 0.3mm
ANGLES	± 0.5°
(BS 308 PT3)	

PROJECT		TITLE BIB 1500,
APPROVALS	DATE	
DRAWN Johan Steyn	2017/10/04	FINISH BRUSHED
APPROVED		MATERIAL 2.0mm 430 SS
ORDER DATE	2017-10-04	
SHEET 1	OF 1	
SCALE		

QTY: 1